

2019  
**GMC SIERRA HD**

---



**LIVE  
LIKE A PRO**



SIERRA 2500 DENALI HD in Dark Slate Metallic shown with available equipment.



---

People talk about moving mountains as if it's a big deal. But you're a pro. To you, it's simply part of your daily routine. We understand. Nothing throws you for a loop. You simply move through so-called obstacles with ease. Pushing yourself further—always looking for solutions. As well as new mountains to conquer.

Discover the heavy-duty truck for you—the 2019 GMC Sierra HD.

# NEW



- EXCLUSIVE SATIN-CHROME-FINISHED GRILLE
- 6" CHROMED ASSIST STEPS
- 20" CHROMED ALUMINUM WHEELS ON 2500HD MODELS
- POWER-ADJUSTABLE, HEATED, POWER-FOLDING VERTICAL TRAILERING MIRRORS ARE AVAILABLE ON 2500HD MODELS, STANDARD ON 3500HD MODELS

**BEAUTY MAY ONLY BE  
SKIN DEEP, BUT STRENGTH  
IS THROUGHOUT**



SIERRA 2500 DENALI HD in Onyx Black shown with available equipment.



SIERRA 2500 DENALI HD interior in Jet Black shown with available equipment.



# HEAVY ON ACCOMMODATIONS



Sierra Denali HD combines triple door seals, inlaid doors, specialized powertrain mounts and premium materials to create the solitude, comfort and craftsmanship you never expected in a heavy-duty pickup. Denali features French seam stitching, burnished aluminum trim, supportive heated and ventilated leather-appointed front bucket seats and a hand-stitched, heated, leather-wrapped steering wheel.

- DRIVER ALERT PACKAGE
- 12-WAY POWER FRONT SEATS WITH DRIVER MEMORY
- BOSE® PREMIUM SEVEN-SPEAKER SOUND SYSTEM



**445  
HORSEPOWER**



**910 LB.-FT.  
OF TORQUE**

# OUR MOST POWERFUL DURAMAX DIESEL EVER

■ CORROSION-RESISTANT DURALIFE BRAKE ROTORS

■ EATON® HEAVY-DUTY AUTOMATIC LOCKING  
REAR DIFFERENTIAL

■ DIGITAL STEERING ASSIST IS AVAILABLE

■ ALLISON® 1000 6-SPEED AUTOMATIC TRANSMISSION (DURAMAX)

■ HOOD-SCOOP INDUCTION SYSTEM PROVIDES COOLER INDUCTION  
AIR TEMPERATURES TO HELP MAXIMIZE HORSEPOWER (DURAMAX)

■ LARGE RADIATOR CAPACITY FOR EXCELLENT COOLING  
PERFORMANCE (DURAMAX)

Sierra HD gets its heavy-duty power from a proven source: the available Duramax 6.6L V8 Turbo Diesel with 910 lb.-ft. of torque and 445 hp under your right foot. Prefer your power gasoline-fuelled? Sierra HD comes standard with the force and efficiency of our 360-hp Vortec 6.0L V8.



SIERRA 2500 DENALI HD in Onyx Black shown with available equipment.

# A STRUCTURE OF STRENGTH



Sierra HD offers a steering system smart enough to tailor its response to your unique driving situation, in real time. Available Digital Steering Assist senses speed—especially important when trailering—to enable ease of handling at low speeds and improved steering feel at highway speeds. It also changes when the Tow/Haul button is activated, providing additional assist at reduced speeds and less assist at highway cruising speeds.

# OUR REPUTATION FOLLOWS US



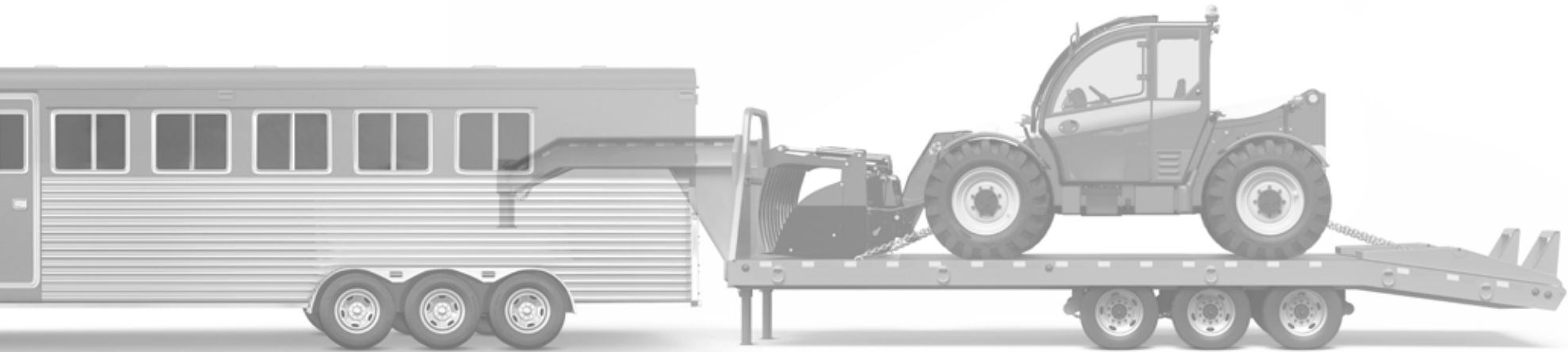
**6985 KG  
(15,400 LB.)**

**2500HD GOOSENECK/FIFTH-WHEEL HITCH**

Sierra 2500HD Crew Cab 4x2 with the available Duramax Turbo Diesel and equipped with a gooseneck or fifth-wheel hitch allows you to trailer up to 6985 kg (15,400 lb.).<sup>1</sup>

<sup>1</sup>Before you buy a vehicle or use it for trailering, carefully review the trailering section of the Owner's Manual. The weight of passengers, cargo and options or accessories may reduce the amount you can tow.

NO MATTER WHAT, WHERE OR WHY YOU'RE TRAILERING, SIERRA HD SHOULD BE THE HOW. BECAUSE WE'RE NOT ONLY BUILDING HEAVY-DUTY TRAILERING MACHINES, WE'RE ALL ABOUT BUILDING CONFIDENCE IN THOSE WHO DRIVE THEM.



**9072 KG  
(20,000 LB.)**

**3500HD CONVENTIONAL HITCH**

With the available Duramax Turbo Diesel engine, 3500HD dual-rear-wheel models offer a max conventional trailer weight rating of up to 9072 kg (20,000 lb.), when properly equipped.<sup>1</sup>

**10,478 KG  
(23,100 LB.)**

**3500HD GOOSENECK/FIFTH-WHEEL HITCH**

The Sierra 3500HD Crew Cab 4x2 Dual Rear Wheel model with the available Duramax Turbo Diesel and equipped with a gooseneck or fifth-wheel hitch can pull even larger equipment, up to 10,478 kg (23,100 lb.), when properly equipped.<sup>1</sup>

SIERRA 2500 DENALI HD in Onyx Black shown with available equipment.



# IT'S NOT HOW MUCH YOU TOW BUT HOW WELL YOU TOW



- REAR VISION CAMERA
- TRAILER SWAY CONTROL
- TOW/HAUL MODE
- HILL START ASSIST
- TRANSMISSION TEMPERATURE GAUGE
- GOOSENECK/FIFTH-WHEEL PREP PACKAGE IS AVAILABLE
- VERTICAL TRAILERING MIRRORS ARE AVAILABLE
- DIESEL EXHAUST BRAKE SYSTEM IS AVAILABLE
- TRAILER BRAKE CONTROLLER IS AVAILABLE
- TRAILERING CAMERA SYSTEM IS AN AVAILABLE ACCESSORY (SHOWN TOP LEFT)

Sierra HD's available Duramax Diesel and seamlessly integrated standard and available trailering technologies generate the confidence to control heavy loads, especially in challenging situations. Read the vehicle Owner's Manual for important feature information and limitations.

# A PAYLOAD CAPACITY THAT PAYS FOR ITSELF

- EIGHT TIE-DOWN HOOKS; TOP FOUR ARE MOVABLE
- BED RAIL PROTECTION
- LED UNDER-RAIL LIGHTS ARE AVAILABLE
- REMOTE POWER-LOCKING TAILGATE IS AVAILABLE
- EZ-LIFT AND LOWER TAILGATE IS AVAILABLE
- SPRAY-ON BEDLINER IS AVAILABLE

Get to work. To help you do that, Sierra HD offers an innovative cargo bed. Using high-strength steel, it offers a maximum payload capacity of up to 2772 kg (6112 lb.)<sup>1</sup> on a 3500HD 4x2 Crew Cab model with dual rear wheels and a 6.0L V8 engine. The highlight of this collaboration between engineering and design is the widely acclaimed CornerStep rear bumper and integrated handgrips.

<sup>1</sup>These maximum payload ratings are intended for comparison purposes only. Before you buy a vehicle or use it to haul people or cargo, carefully review the vehicle loading section of the Owner's Manual and check the carrying capacity of your specific vehicle on the label on the inside of the driver's door jamb.

DENALI

# FOLLOW DREAMS, NOT MAPS



## ALL TERRAIN FEATURES INCLUDE:

- OFF-ROAD SUSPENSION WITH TWIN-TUBE RANCHO® SHOCKS
- PROTECTIVE UNDERBODY SHIELD
- SELECTABLE ELECTRONIC 4X4 TRANSFER CASE
- HIGH-CAPACITY AIR FILTER
- DRIVER-SELECTABLE HILL DESCENT CONTROL
- OFF-ROAD INCLINOMETER IN THE DRIVER INFORMATION CENTRE
- ALL-TERRAIN TIRES
- BLACK TUBULAR 4" ROUND ASSIST STEPS
- SPRAY-ON BEDLINER
- EXCLUSIVE ALL TERRAIN CABIN DESIGN
- FRONT AND REAR PARK ASSIST<sup>1</sup>
- 20" POLISHED ALUMINUM WHEELS WITH DARK ARGENT ACCENTS ARE AVAILABLE ON 2500HD MODELS

<sup>1</sup>Read the vehicle Owner's Manual for important feature limitations and information.



Canada's roads are great for taking you where you need to go. But to take you where you want to go, there's the Sierra HD All Terrain. It's available on 2500HD and 3500HD SLT Single Rear Wheel models—all with 4x4. Sierra HD All Terrain is engineered to help you handle a variety of surfaces and conditions. So, go where you want.



SIERRA 2500HD ALL TERRAIN in Onyx Black shown with available equipment.

# ALL TERRAIN

# ALL TERRAIN X



SIERRA 2500HD ALL TERRAIN X in Onyx Black shown with available equipment.

# GO TO EXTREMES



- GOODYEAR® WRANGLER DURATRAC® MT TIRES
- 18" BLACK PAINTED ALUMINUM WHEELS
- BLACK TUBULAR 4" ROUND ASSIST STEPS
- POWER-ADJUSTABLE, HEATED, POWER-FOLDING VERTICAL TRAILERING MIRRORS
- BLACK BED-MOUNTED SPORT BAR DESIGNED TO SUPPORT THE AVAILABLE ACCESSORY OFF-ROAD LED LIGHTING PACKAGE

Trail-ready design. Signature refinement. The Sierra HD All Terrain X adds off-road style and attitude to an already-bold truck. The All Terrain X Package is available on Sierra 2500HD SLT 4x4 models.

**THIS COCKPIT PERFORMS  
LIKE A CONTROL TOWER**



SIERRA 2500 DENALI HD interior in Jet Black shown with available equipment.



- GMC INFOTAINMENT SYSTEM<sup>1</sup>
- REAR VISION CAMERA<sup>2</sup>
- EXCLUSIVE-TO-DENALI CUSTOMIZABLE DRIVER DISPLAY
- CENTRE CONSOLE WIRELESS CHARGING MAT<sup>3</sup> IS AVAILABLE
- VOICE AND TOUCH-SCREEN NAVIGATION<sup>4</sup> IS AVAILABLE

Information gives you power. Sierra HD positions information where it's easy to read at a glance. Gauges are LED back-lit for enhanced night viewing, and controls are within easy reach. Sierra HD also offers advanced technologies to help keep you connected, informed and in control of your surroundings.

<sup>1</sup>Full functionality requires compatible Bluetooth® and smartphone, and USB connectivity for some devices. Data plan rates may apply. <sup>2</sup>Read the vehicle Owner's Manual for important feature limitations and information. <sup>3</sup>The system wirelessly charges one PMA- or Qi-compatible mobile device. Some devices require an adapter or back cover. To check for phone or device compatibility, see [gmttotalconnect.ca](http://gmttotalconnect.ca). <sup>4</sup>At time of printing, detailed map coverage is available for most major urban areas of the United States and for certain metropolitan areas of Canada (Vancouver, Calgary, Edmonton, Winnipeg, Windsor, London, Toronto, Ottawa, Montreal, Quebec City and Halifax). Coverage is significantly limited outside these areas.

# SAFE IS A POWERFUL FEELING

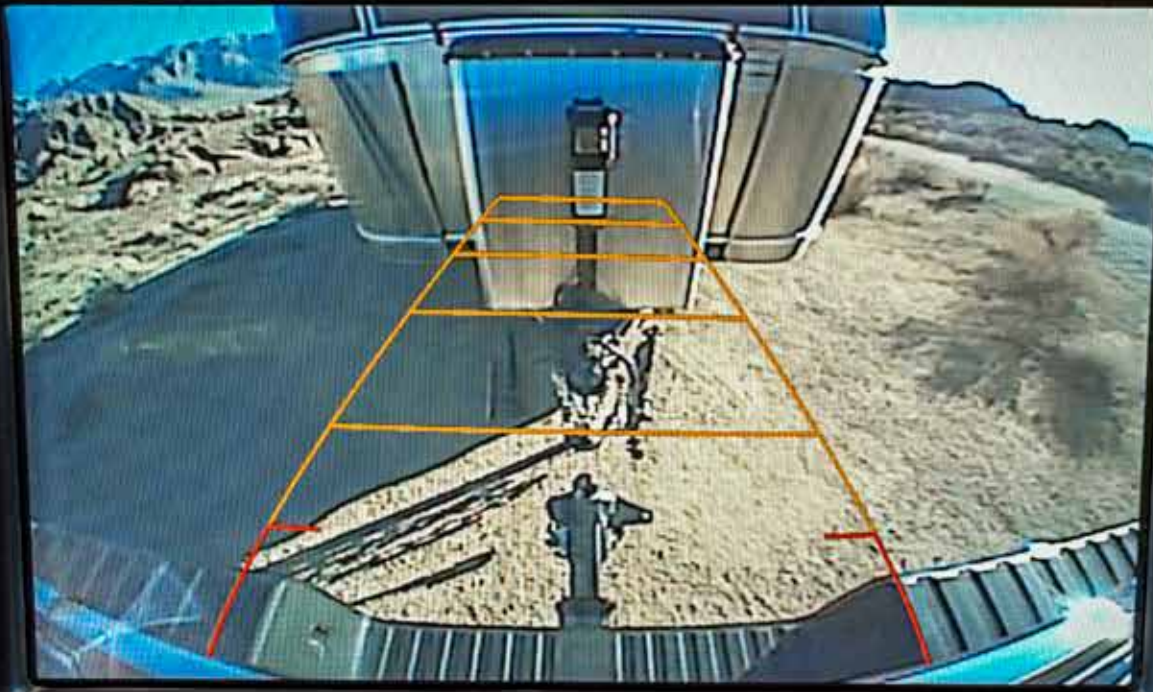


---

Sierra HD offers a comprehensive collection of standard and available safety technologies. It offers the Driver Alert Package, which includes Forward Collision Alert, Lane Departure Warning, Front and Rear Park Assist and the Safety Alert Seat.

Discover more of Sierra HD's available safety features at [gmccanada.ca](http://gmccanada.ca).

Safety or driver-assistance features are no substitute for the driver's responsibility to operate the vehicle in a safe manner. The driver should remain attentive to traffic, surroundings and road conditions at all times. Visibility, weather and road conditions may affect feature performance. Read the vehicle Owner's Manual for more important feature limitations and information.



SIERRA HD OFFERS AVAILABLE:

- REAR VISION CAMERA
- FORWARD COLLISION ALERT
- LANE DEPARTURE WARNING
- FRONT AND REAR PARK ASSIST
- SAFETY ALERT SEAT



# GET IN TOUCH WITH MORE THAN NATURE



SIERRA 2500 DENALI HD in Onyx Black shown with available equipment.





- GMC CONNECTED ACCESS<sup>1</sup>
- REMOTE ACCESS PLAN<sup>2</sup>
- PREMIUM ACCESS PLAN<sup>3</sup>

#### INTRODUCING GMC CONNECTED SERVICES

Seamlessly link your digital life to your Sierra HD with GMC Connected Services<sup>4</sup> and its range of available plans. Connected Access<sup>1</sup> includes 10 years of standard connectivity at no additional charge that enables Vehicle Diagnostics<sup>5</sup> and Dealer Maintenance Notifications to help you better manage your vehicle's health. Or add the available Remote Access Plan<sup>2</sup> to start and stop<sup>6</sup> or lock and unlock<sup>6</sup> your properly equipped GMC via the available myGMC App.<sup>7</sup> With the available Premium Access Plan<sup>3</sup> you can stay connected on the go with your available built-in 4G LTE Wi-Fi<sup>®</sup> Hotspot<sup>8</sup> (data plan required).

OnStar Safety & Security Plans<sup>9</sup> and Connected Services have changed significantly. While many of the offered services are the same, available plans and pricing are different. Visit [onstar.ca](http://onstar.ca) to review all the details and limitations.

Discover how to stay connected at [gmccanada.ca](http://gmccanada.ca).

Bottom photo: Apple CarPlay™ shown. Vehicle user interface is a product of Apple® and its terms and privacy statements apply. Requires compatible iPhone® and data plan rates apply. Apple CarPlay is a trademark of Apple, Inc., registered in the U.S. and other countries. <sup>1</sup>Limitations apply. Not transferable. Standard connectivity available to original purchaser for 10 years from trial activation date. See [onstar.ca](http://onstar.ca) for details and further plan limitations. Connected Access does not include emergency or security services. Availability of Connected Access and any of its services is dependant on compatible 4G LTE wireless networks and is also subject to change. <sup>2</sup>Diagnostic capabilities vary by model and do not cover all vehicle conditions. Additional message and data rates may apply. Requires email address on file and enrolment in Vehicle Diagnostics. Remote Access Plan does not include emergency or security services. Services are subject to user terms and limitations. Visit [onstar.ca](http://onstar.ca) for more details. <sup>3</sup>Connected Navigation and real-time Points of Interest (POI) only available on properly equipped vehicles. Hands-Free Calling includes 30 minutes per month to make calls to and from the U.S. and Canada only. Unused minutes expire at the end of each month. Data plans are provided by AT&T® or its local service provider. Services are subject to user terms and limitations and vary by vehicle model. Visit [onstar.ca](http://onstar.ca) for coverage maps, details and system limitations (including geographical and technical restrictions). <sup>4</sup>Visit [onstar.ca](http://onstar.ca) for coverage maps, details and system limitations. Services vary by model, service plan and conditions as well as geographical and technical restrictions. Service plan required. Factory-installed equipment purchase may be required. <sup>5</sup>Capabilities vary by model and service plan. Visit [onstar.ca](http://onstar.ca) for details and system limitations. Message and data rates may apply. Requires active service, email address on file and enrolment in Vehicle Diagnostics. Not all issues will deliver alerts. On-Demand Diagnostics requires a paid service plan. <sup>6</sup>Requires subscription to Remote Access Plan or Premium Access Plan. Services are subject to user terms and limitations and vary by vehicle model. Unlock feature requires automatic locks. Remote start requires GM factory-installed and enabled remote-start system. Visit [onstar.ca](http://onstar.ca) for more details. <sup>7</sup>Available on select Apple® and Android™ devices. Service availability, features and functionality are subject to limitations and vary by vehicle, device and the plan in which you are enrolled. Device data connection required. Visit [onstar.ca](http://onstar.ca) for more details. <sup>8</sup>Visit [onstar.ca](http://onstar.ca) for vehicle availability, coverage maps, details and system limitations. Services and connectivity vary by model and conditions as well as geographical and technical restrictions. 4G LTE service available in select markets. Requires active connected vehicle services and a data plan to access the vehicle's built-in Wi-Fi Hotspot. Accessory Power must be active to use the Wi-Fi Hotspot. Data plans provided by AT&T or its local service provider. Credit card is required for purchase. <sup>9</sup>OnStar acts as a link to existing emergency service providers. Not all vehicles may transmit all crash data. Roadside service provided by Allstate Roadside Services, and limitations and restrictions apply. Stolen Vehicle Assistance requires armed factory-installed theft-deterrent system and selection of notification communication preference(s). These services are intended to assist with vehicle recovery and do not prevent theft or protect against damage or loss. Additional messaging and data rates may apply. Services are subject to user terms and limitations and vary by vehicle model. Visit [onstar.ca](http://onstar.ca) for more details.

# SIERRA HD MODELS

Choose the Sierra HD that's right for you at [gmccanada.ca/build-and-price](http://gmccanada.ca/build-and-price).



## SIERRA

---

Sierra HD models come with the essentials, including a Vortec 6.0L V8 engine, 4.10 axle ratio, 2-speed manual transfer case on 4x4 models, heavy-duty automatic locking rear differential, 4-wheel anti-lock disc brakes with Duralife brake rotors, StabiliTrak with Trailer Sway Control, Hill Start Assist and a CornerStep rear bumper. Also available in a dual-rear-wheel configuration on 3500HD models.



## SLE

---

Includes Sierra standard content and adds an 8" diagonal GMC Infotainment System,<sup>1</sup> remote keyless entry, a conventional trailer hitch, an integrated trailer brake controller and an electronic shift transfer case with rotary controls on 4x4 models. Also available in a dual-rear-wheel configuration on 3500HD models.



## SLT

---

Includes SLE standard content and adds power-folding, driver-side auto-dimming exterior mirrors with integrated turn-signal indicators and puddle lamps, chrome exterior accents, Memory Package and heated leather-appointed front seats with 10-way power seat adjusters. Also available in a dual-rear-wheel configuration on 3500HD models.



## ALL TERRAIN

---

Available on 2500HD and 3500HD SLT Single Rear Wheel 4x4 models. Equipment includes off-road suspension with twin-tube Rancho® shocks, selectable electronic 4x4 transfer case, Off-Road Inclinometer in the Driver Information Centre, driver-selectable Hill Descent Control, underbody shield, high-capacity air filter, spray-on bedliner, black tubular 4" round assist steps, all-terrain tires and All Terrain cabin design.



## ALL TERRAIN X PACKAGE

---

Requires 2500HD All Terrain Standard Bed model. Includes 18" black painted aluminum wheels; LT 275/65R18 MT blackwall Goodyear® Wrangler DuraTrac® tires; a black bed-mounted sport bar; power-adjustable, heated, power-folding vertical trailering mirrors with black mirror caps; integrated turn signals; a cargo lamp; amber clearance lamps on mirror caps; a black front-bumper skid plate; and a black B-pillar vinyl wrap.



## DENALI

---

Denali is the ultimate expression of Professional Grade. Includes all SLT standard content and adds features such as heated and ventilated perforated leather-appointed front seats, 8" diagonal GMC Infotainment System<sup>1</sup> with Navigation,<sup>2</sup> a Bose® premium sound system, an 8" reconfigurable Driver Information Centre and a spray-on bedliner with Denali logo. Also available in a dual-rear-wheel configuration on 3500HD models.

# USE THE BEST TOOLS TO BUILD YOUR SIERRA HD



GMC's smart, comprehensive online tools elevate your shopping experience. Visit [gmccanada.ca](http://gmccanada.ca) to find tools to help you select the model that's right for you. You can also find a GMC dealer, schedule a test drive and sign up for email updates about all things GMC.

5:55



**GMC**

VEHICLES ▾

MENU

2019  
2018

2019 SIERRA DENALI HD ▾

### COLOURS



EXTERIOR  
**Onyx Black**



INTERIOR



# COLOUR YOUR WORLD

## EXTERIOR



<sup>1</sup>Extra-cost colour. <sup>2</sup>Not available on All Terrain. <sup>3</sup>Requires Crew Cab model. <sup>4</sup>Not available on Denali. <sup>5</sup>Not available on Sierra trim. Requires Crew Cab model. <sup>6</sup>Not available on Sierra trim.

## DENALI INTERIOR COLOURS AND MATERIALS

We know you'll be spending a lot of time in your Sierra Denali HD, so this is your opportunity to select the authentic materials, perforated leather appointments and colours to personalize it.



Interior Colours: Cocoa/Dark Sand

Seating Colour: Dark Sand With Unique Denali Accents

Door and Console Accents: Oblique Hanon Oak Wood Tone

Instrument Panel Accents: Burnished Aluminum



Interior Colours: Jet Black/Jet Black

Seating Colour: Jet Black With Unique Denali Accents

Door and Console Accents: Oblique Hanon Oak Wood Tone

Instrument Panel Accents: Burnished Aluminum

Find a complete selection of Sierra HD interior colours and materials, including cloth and leather-appointed options, at [gmccanada.ca](http://gmccanada.ca).

# PRECISION-CRAFTED FROM THE GROUND UP

## 2500HD WHEELS

---



17" Painted Steel (PYN)  
Standard on 2500HD Sierra



17" Machined Aluminum (PYQ)  
Standard on 2500HD SLE;  
Available on 2500HD Sierra



18" Painted Steel (PYT)  
Available on 2500HD Sierra  
and SLE



18" Chromed Aluminum (PYR)  
Standard on 2500HD SLT and All Terrain;  
Available on 2500HD SLE



18" Black Painted Aluminum (RT4)  
Standard on 2500HD All Terrain X



20" 5-Spoke Polished Aluminum (PYU)  
Available on 2500HD SLE



20" 6-Spoke Polished Aluminum (Q7R)  
Available on 2500HD SLT



20" 5-Spoke Polished Aluminum  
With Dark Argent Accents (RTH)  
Available on 2500HD All Terrain



#### DENALI HD SINGLE REAR WHEEL MODELS



20" Chromed Aluminum (ROA)  
Standard on 2500 Denali HD



18" Chromed Aluminum (PYR)  
Standard on 3500 Denali HD;  
Available on 2500 Denali HD



18" Painted Steel (PYT)  
Standard on 3500HD Sierra



18" Chromed Aluminum (PYR)  
Standard on 3500HD SLE, SLT  
and All Terrain

#### 3500HD DUAL REAR WHEEL MODELS



17" Painted Steel (PYW)  
Standard on 3500HD Sierra



17" Painted Steel With Chrome  
Overlay (P06) Standard on  
3500HD SLE and SLT



17" Polished Forged Aluminum (RS7)  
Standard on 3500 Denali HD;  
Available on 3500HD SLE and SLT



SIERRA 2500 DENALI HD in Onyx Black shown with available dealer-installed accessories.

# MAKE IT YOUR SIERRA HD



---

GMC Accessories range from the functional to the personal, so you can truly make Sierra HD your own. They're engineered and tested to meet the Professional Grade standards of your Sierra HD.

Find a full selection of Sierra HD accessories at [gmccanada.ca/accessories](http://gmccanada.ca/accessories).

# PROFESSIONAL GRADE



SIERRA HD



CANYON



SIERRA 1500

# RUNS IN THE FAMILY



YUKON

TERRAIN

ACADIA

# DRIVE THE CONVERSATION



GMCCANADA.CA

## PEACE OF MIND, STANDARD WITH EVERY GMC MODEL

Experience the GMC comprehensive coverage, warranty and protection program that comes standard with every new 2019 GMC Sierra HD leased or purchased in Canada. Simply, it is designed around you, to make it easy to keep your GMC like new — and give you the confidence you deserve when you need it most.

### YOUR COMPREHENSIVE OWNER BENEFIT PROGRAM

- 2-year/48,000 km<sup>1</sup> Complimentary Oil Changes<sup>2</sup>
- 3-year/60,000 km<sup>1</sup> Base Warranty Coverage<sup>3</sup>
- 5-year/100,000 km<sup>1</sup> Powertrain Component Warranty Coverage<sup>3</sup>
- 5-year/100,000 km<sup>1</sup> Courtesy Transportation<sup>4</sup>
- 5-year/100,000 km<sup>1</sup> 24/7 Roadside Assistance<sup>4</sup>
- 6-year/160,000 km<sup>1</sup> Sheet Metal rust-through perforation coverage<sup>3</sup>
- 8-year/130,000 km<sup>1</sup> coverage<sup>3</sup> on specified major emission components

### OTHER OWNERSHIP PRIVILEGES AND PROGRAMS:<sup>5</sup>

- GMC Protection Plan — the only extended service plan backed by the resources and commitment of General Motors. The GMC Protection Plan may be purchased at the time of sale or subsequently during the Base Warranty Coverage period.<sup>6</sup>
- GMC Certified Service — to help your GMC vehicle live up to its performance promise, GMC Certified Service — found exclusively at your GMC dealer — is there. With all the engineering excellence in your vehicle, GM-trained technicians have the expertise to care for all of it.
- GMC Owner Centre — as an owner, take advantage of the GMC Owner Centre. This online owner's destination gives you access to contests, current offers and the latest driving and maintenance tips. Find out more at [gmcowner.ca](http://gmcowner.ca).

### TO HELP YOU PURCHASE OR LEASE A NEW VEHICLE

- Purchase Financing and Leasing — on-the-spot financing; see dealer for full details.<sup>7</sup>
- GM Student Bonus Program — students or recent graduates of high school, college or university<sup>7</sup> may be entitled to receive a Student Bonus Vehicle Redemption Allowance of \$500 or \$750<sup>8</sup> (tax inclusive) (purchased vehicle dependant) to use toward the purchase, lease or finance of one eligible new GMC vehicle.
- GM Card<sup>®</sup> — Cardholders may redeem Earnings toward the total purchase price or lease down payment of an eligible new GMC truck or SUV. Restrictions and limitations apply. For full program details, visit [gmc card.ca](http://gmc card.ca).

**INFORMATION RESOURCES** You can find more information about these programs from your GMC dealer or at these information centres:

- The GMC website at [gmccanada.ca](http://gmccanada.ca)
- The GM Customer Care Centre at 1-800-GM-DRIVE (1-800-463-7483 or 1-800-263-3830 for TDD users)

**A WORD ABOUT THIS BROCHURE** Some of the equipment shown or described throughout this brochure may be available at extra cost. We have tried to make this brochure comprehensive and factual. We reserve the right, however, to make changes at any time, without notice, in prices, colours, materials, equipment, specifications, models and availability. Specifications, dimensions, measurements, ratings and other numbers in this brochure and other printed materials provided at the dealership or affixed to vehicles are approximates based upon design and engineering drawings and prototypes and laboratory tests. Your vehicle may differ due to variations in manufacture and equipment. Since some information may have been updated since the time of printing, please check with your GMC dealer for complete details. General Motors of Canada Company reserves the right to lengthen or shorten the model year for any product, for any reason, or to start and end model years at different times. Certain vehicle features may lose their usefulness over time due to obsolescence from technological changes. Unless otherwise noted, all claims are based on the latest available competitive information. Excludes other GM vehicles.

**ENGINES** GMC products are equipped with engines produced by GM Global Propulsion Systems or other suppliers to GM worldwide. The engines in GMC products may also be used in other GM makes and models.

**ASSEMBLY** GMC vehicles and their components are assembled or produced by different operating units of General Motors, its subsidiaries or suppliers to GM worldwide. We sometimes find it necessary to produce GMC vehicles with different or differently sourced components than originally scheduled. Since some options may be unavailable when your vehicle is assembled, we suggest you verify that your vehicle includes the equipment you ordered and that, if there were changes, they are acceptable to you.

**FLEET ORDERS** Some standard content may be deleted on fleet orders. See dealer for details.

**AN IMPORTANT NOTE ABOUT ALTERATIONS AND WARRANTIES** Installations or alterations to the original equipment vehicle (or chassis) as distributed by General Motors are not covered by the New-Vehicle Limited Warranty. The special body company, assembler, equipment installer or upfitter is solely responsible for warranties on the body or equipment and any alterations (or any effect of the alterations) to any of the parts, components, systems or assemblies installed by GM. General Motors is not responsible for the safety or quality of design features, materials or workmanship of any alterations by such suppliers.

**TRADEMARKS** ©2019 General Motors of Canada Company. All rights reserved. The marks appearing in this brochure, including but not limited to: General Motors, GM, GMC, Sierra and their respective logos, emblems, slogans and vehicle model names and body designs; and other marks are trademarks of General Motors and/or General Motors of Canada Company, its subsidiaries, affiliates or licensors. OnStar and the OnStar emblem are registered trademarks of OnStar, LLC. Bluetooth is a registered trademark of Bluetooth SIG, Inc. Bose is a registered trademark of the Bose Corporation. Apple CarPlay, Apple, Siri and Apple Music are trademarks of Apple, Inc., registered in the U.S. and other countries. Android, Android Auto and Google Play are trademarks of Google LLC. DuraTrac and Wrangler are registered trademarks of The Goodyear Tire & Rubber Company. Goodyear is a registered trademark of Goodyear Canada, Inc. Eaton is a registered trademark of Eaton Corporation. Allison is a registered trademark of Allison Transmission, Inc. Rancho is a registered trademark of Tenneco Automotive Operating Company, Inc.

**COPYRIGHT** ©2019 General Motors of Canada Company. All rights reserved. All text, images, graphics and other materials in this brochure are subject to the copyright and other intellectual property rights of General Motors LLC and/or General Motors of Canada Company. These materials may not be reproduced, distributed or modified without the express written permission of General Motors LLC and/or General Motors of Canada Company. January 2019.

<sup>1</sup>Whichever comes first. <sup>2</sup>Limit of four complimentary Lube-Oil-Filter services in total. Fluid top-offs, inspections, tire rotations, wheel alignments and balancing, etc., are not covered. Conditions apply. See dealer for details. <sup>3</sup>Conditions apply. See Warranty Booklet for details. <sup>4</sup>Conditions apply. See Owner's Manual for details. <sup>5</sup>Conditions apply. <sup>6</sup>Please work with your dealer to select the plan that is suitable for your driving needs. Dealers are free to set their own prices. <sup>7</sup>Subject to eligibility. <sup>8</sup>Program subject to change.

LIVE  
LIKE A PRO



WE ARE PROFESSIONAL GRADE